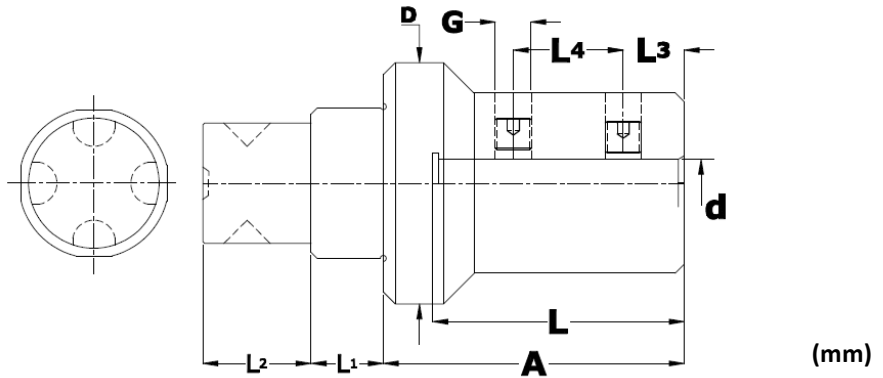


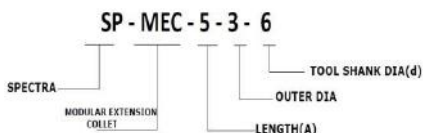
# MODULAR EXTENSION SIDE LOCK:



MODULAR EXTENSION SIDE LOCK COLLECT

| DESIGNATION  | A  | L  | D  | L1 | L2 | L3 | L4 | d  | G  |
|--------------|----|----|----|----|----|----|----|----|----|
| SP-MEC-53-06 | 50 | 40 | 30 | 10 | 16 | 10 | 20 | 6  | M4 |
| SP-MEC-53-08 | 50 | 40 | 30 | 10 | 16 | 10 | 20 | 8  | M4 |
| SP-MEC-53-10 | 50 | 40 | 30 | 10 | 16 | 10 | 20 | 10 | M6 |
| SP-MEC-53-12 | 50 | 40 | 40 | 12 | 18 | 10 | 20 | 12 | M6 |
| SP-MEC-54-14 | 50 | 40 | 40 | 12 | 18 | 10 | 20 | 14 | M6 |
| SP-MEC-54-16 | 50 | 40 | 40 | 12 | 18 | 15 | 20 | 16 | M6 |
| SP-MEC-54-18 | 50 | 40 | 40 | 12 | 18 | 15 | 20 | 18 | M6 |
| SP-MEC-54-20 | 50 | 40 | 40 | 12 | 18 | 15 | 20 | 20 | M8 |
| SP-MEC-54-25 | 50 | 40 | 40 | 12 | 18 | 15 | 20 | 25 | M8 |
| SP-MEC-54-32 | 50 | 40 | 40 | 12 | 18 | 15 | 20 | 32 | M8 |
| SP-MEC-55-12 | 50 | 40 | 50 | 12 | 21 | 10 | 20 | 12 | M6 |
| SP-MEC-55-14 | 50 | 40 | 50 | 12 | 21 | 10 | 20 | 14 | M6 |
| SP-MEC-55-16 | 50 | 40 | 50 | 12 | 21 | 15 | 20 | 16 | M8 |
| SP-MEC-55-18 | 50 | 40 | 50 | 12 | 21 | 15 | 20 | 18 | M8 |
| SP-MEC-55-20 | 50 | 40 | 50 | 12 | 21 | 15 | 20 | 20 | M8 |
| SP-MEC-55-22 | 50 | 40 | 50 | 12 | 21 | 15 | 20 | 22 | M8 |
| SP-MEC-55-25 | 50 | 40 | 50 | 12 | 21 | 15 | 20 | 25 | M8 |
| SP-MEC-55-28 | 50 | 40 | 50 | 12 | 21 | 15 | 20 | 28 | M8 |
| SP-MEC-55-32 | 50 | 40 | 50 | 12 | 21 | 15 | 20 | 32 | M8 |

## Ordering Instruction



Patent Pending design should not be copied or reproduced without consent.

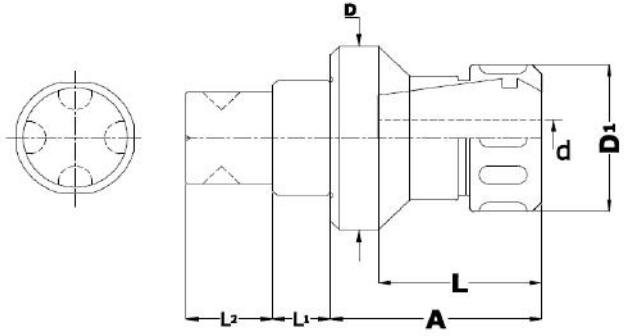
SPARES



GRUBSCREW

ALLENKEY

# MODULAR EXTENSION ER COLLET CHUCK:

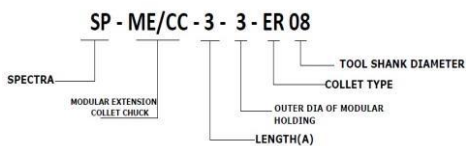


(mm)

## ER COLLETTCHUCK

| DESIGNATION      | COLLETTTYPE | A  | L  | D1 | L1 | L2 | D  | CORRESPONDING COLLET RANGE(d) |
|------------------|-------------|----|----|----|----|----|----|-------------------------------|
| SP-ME/CC-33-ER08 | ER08        | 30 | 20 | 19 | 10 | 16 | 30 | 0.5 to 5.0                    |
| SP-ME/CC-33-ER11 | ER11        | 30 | 20 | 19 | 10 | 16 | 30 | 0.5 to 7.0                    |
| SP-ME/CC-43-ER16 | ER16        | 40 | 30 | 28 | 10 | 16 | 30 | 1.0 to 10.0                   |
| SP-ME/CC-53-ER20 | ER20        | 50 | 40 | 34 | 10 | 16 | 30 | 2.0 to 13.0                   |
| SP-ME/CC-53-ER25 | ER25        | 50 | 40 | 42 | 10 | 16 | 30 | 2.0 to 16.0                   |
| SP-ME/CC-34-ER08 | ER08        | 30 | 20 | 28 | 12 | 18 | 40 | 1.0 to 5.0                    |
| SP-ME/CC-34-ER11 | ER11        | 30 | 20 | 19 | 12 | 18 | 40 | 1.0 to 7.0                    |
| SP-ME/CC-44-ER16 | ER16        | 40 | 30 | 28 | 12 | 18 | 40 | 1.0 to 10.0                   |
| SP-ME/CC-54-ER20 | ER20        | 50 | 40 | 34 | 12 | 18 | 40 | 2.0 to 13.0                   |
| SP-ME/CC-54-ER25 | ER25        | 50 | 40 | 42 | 12 | 18 | 40 | 2.0 to 16.0                   |
| SP-ME/CC-64-ER32 | ER32        | 60 | 50 | 50 | 12 | 18 | 40 | 3.0 to 20.0                   |
| SP-ME/CC-64-ER40 | ER40        | 60 | 50 | 63 | 12 | 18 | 40 | 4.0 to 26.0                   |
| SP-ME/CC-84-ER50 | ER50        | 80 | 60 | 78 | 12 | 18 | 40 | 10.0 to 34.0                  |
| SP-ME/CC-65-ER11 | ER11        | 30 | 20 | 19 | 12 | 21 | 50 | 1.0 to 7.0                    |
| SP-ME/CC-65-ER16 | ER16        | 40 | 30 | 28 | 12 | 21 | 50 | 1.0 to 10.0                   |
| SP-ME/CC-65-ER20 | ER20        | 50 | 40 | 34 | 12 | 21 | 50 | 2.0 to 13.0                   |
| SP-ME/CC-65-ER25 | ER25        | 50 | 40 | 42 | 12 | 21 | 50 | 2.0 to 16.0                   |
| SP-ME/CC-65-ER32 | ER32        | 60 | 50 | 50 | 12 | 21 | 50 | 2.0 to 20.0                   |
| SP-ME/CC-65-ER40 | ER40        | 60 | 50 | 63 | 12 | 21 | 50 | 4.0 to 26.0                   |
| SP-ME/CC-85-ER50 | ER50        | 80 | 60 | 78 | 12 | 21 | 50 | 10.0 to 34.0                  |
| SP-ME/CC-86-ER50 | ER50        | 80 | 60 | 78 | 12 | 24 | 60 | 10.0 to 34.0                  |

## Ordering Instruction



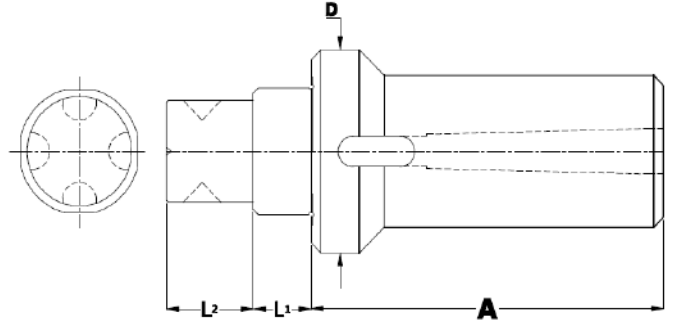
Patent Pending design should not be copied or reproduced without consent.

## SPARES



WRENCH

# MODULAR EXTENSION MORSE TAPER:



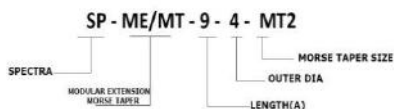
(mm)

## MT TAPER

| DESIGNATION      | A   | D  | L1 | L2 | d(MT) |
|------------------|-----|----|----|----|-------|
| SP-ME/MT-73-MT0  | 70  | 30 | 10 | 16 | MT 0  |
| SP-ME/MT-83-MT1  | 80  | 30 | 10 | 16 | MT 1  |
| SP-ME/MT-93-MT2  | 90  | 30 | 10 | 16 | MT 2  |
| SP-ME/MT-113-MT3 | 110 | 30 | 10 | 16 | MT 3  |
| SP-ME/MT-64-MT0  | 70  | 40 | 12 | 18 | MT 0  |
| SP-ME/MT-84-MT1  | 80  | 40 | 12 | 18 | MT 1  |
| SP-ME/MT-104-MT2 | 100 | 40 | 12 | 18 | MT 2  |
| SP-ME/MT-114-MT3 | 110 | 40 | 12 | 18 | MT 3  |
| SP-ME/MT-134-MT4 | 130 | 40 | 12 | 18 | MT 4  |
| SP-ME/MT-65-MT0  | 70  | 50 | 12 | 18 | MT 0  |
| SP-ME/MT-85-MT1  | 80  | 50 | 12 | 18 | MT 1  |
| SP-ME/MT-95-MT2  | 90  | 50 | 12 | 18 | MT 2  |
| SP-ME/MT-115-MT3 | 110 | 50 | 12 | 18 | MT 3  |
| SP-ME/MT-135-MT4 | 130 | 50 | 12 | 18 | MT 4  |

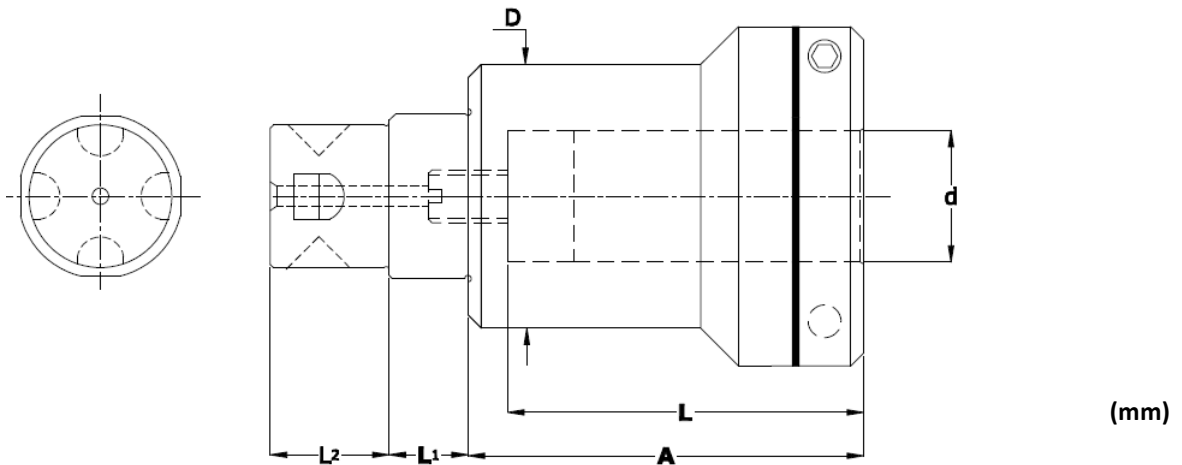
HOLDER: BT, HSK, ISO, BBT

## Ordering Instruction



Patent Pending design should not be copied or reproduced without consent.

# MODULAR EXTENSION HYDRO GRIP:



| HYDROGRIP      |    |    |    |    |    |    |
|----------------|----|----|----|----|----|----|
| DESIGNATION    | A  | L  | D  | L1 | L2 | d  |
| SP-ME/HG-64-12 | 60 | 54 | 40 | 12 | 18 | 12 |
| SP-ME/HG-64-16 | 60 | 54 | 40 | 12 | 18 | 16 |
| SP-ME/HG-64-20 | 60 | 54 | 40 | 12 | 18 | 20 |
| SP-ME/HG-64-25 | 60 | 54 | 40 | 12 | 18 | 25 |
| SP-ME/HG-64-32 | 60 | 54 | 40 | 12 | 18 | 32 |
| SP-ME/HG-65-12 | 60 | 54 | 50 | 12 | 21 | 12 |
| SP-ME/HG-65-16 | 60 | 54 | 50 | 12 | 21 | 16 |
| SP-ME/HG-65-20 | 60 | 54 | 50 | 12 | 21 | 20 |
| SP-ME/HG-65-25 | 60 | 54 | 50 | 12 | 21 | 25 |
| SP-ME/HG-65-32 | 60 | 54 | 50 | 12 | 21 | 32 |

HOLDER: BT, HSK, ISO, BBT

## Ordering Instruction

SP- ME/HG-64-12

SPECTRA

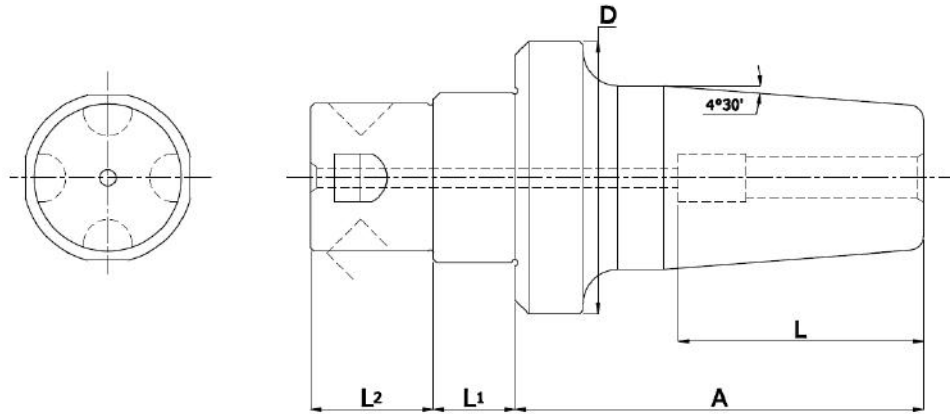
MODULAR EXTENSION  
HYDROGRIP

DIAMETER (d)

LENGTH(A) / DIAMETER (D)

Patent Pending design should not be copied or reproduced without consent.

# MODULAR EXTENSION SHRINK FIT:



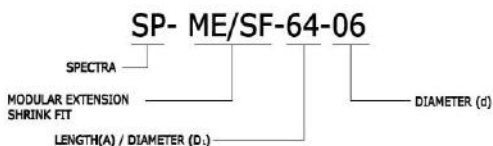
(mm)

## SHRINK FIT

| DESIGNATION    | A  | L  | L1 | L2 | D  | d  |
|----------------|----|----|----|----|----|----|
| SP-ME/SF-64-06 | 60 | 40 | 12 | 18 | 40 | 6  |
| SP-ME/SF-64-08 | 60 | 40 | 12 | 18 | 40 | 8  |
| SP-ME/SF-64-10 | 60 | 40 | 12 | 18 | 40 | 10 |
| SP-ME/SF-64-12 | 60 | 40 | 12 | 18 | 40 | 12 |
| SP-ME/SF-64-14 | 60 | 40 | 12 | 18 | 40 | 14 |
| SP-ME/SF-74-16 | 70 | 50 | 12 | 18 | 40 | 16 |
| SP-ME/SF-74-20 | 70 | 50 | 12 | 18 | 40 | 20 |
| SP-ME/SF-65-12 | 60 | 40 | 12 | 21 | 50 | 12 |
| SP-ME/SF-75-14 | 70 | 50 | 12 | 21 | 50 | 14 |
| SP-ME/SF-75-16 | 70 | 50 | 12 | 21 | 50 | 16 |
| SP-ME/SF-75-20 | 70 | 50 | 12 | 21 | 50 | 20 |
| SP-ME/SF-85-25 | 80 | 50 | 12 | 21 | 50 | 25 |
| SP-ME/SF-85-32 | 80 | 50 | 12 | 21 | 50 | 32 |

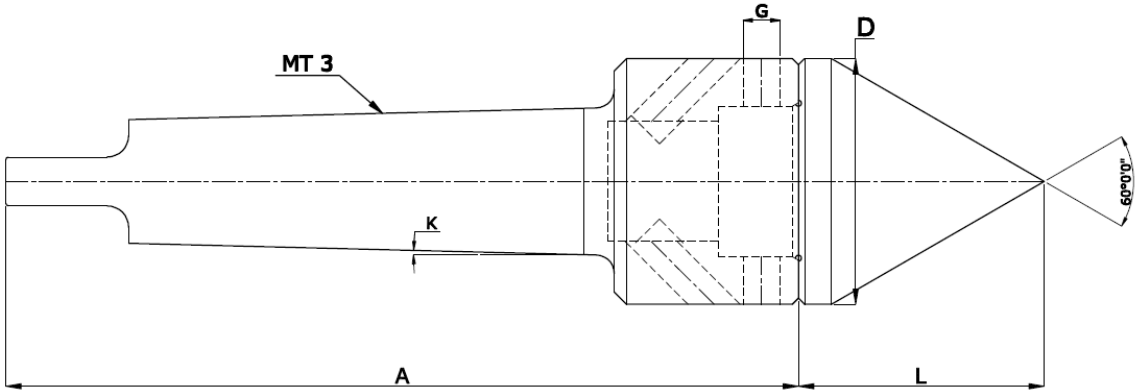
HOLDER: BT, HSK, ISO, BBT

### Ordering Instruction



Patent Pending design should not be copied or reproduced without consent.

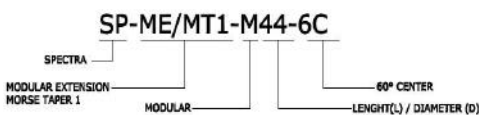
# MODULAR EXTENSION MORSE TAPER CENTER:



## MORSE TAPER DEAD CENTER

| DESIGNATION      | A    | L  | D  | G  | K        |
|------------------|------|----|----|----|----------|
| SP-ME/MT1-M33-6C | 95.5 | 30 | 30 | M5 | 1°25'43" |
| SP-ME/MT2-M33-6C | 105  | 30 | 30 | M5 | 1°25'50" |
| SP-ME/MT3-M44-6C | 129  | 40 | 40 | M6 | 1°26'16" |
| SP-ME/MT4-M44-6C | 154  | 40 | 40 | M6 | 1°29'15" |
| SP-ME/MT5-M44-6C | 186  | 40 | 40 | M6 | 1°30'26" |

### Ordering Instruction



Patent Pending design should not be copied or reproduced without consent.

### SPARES

