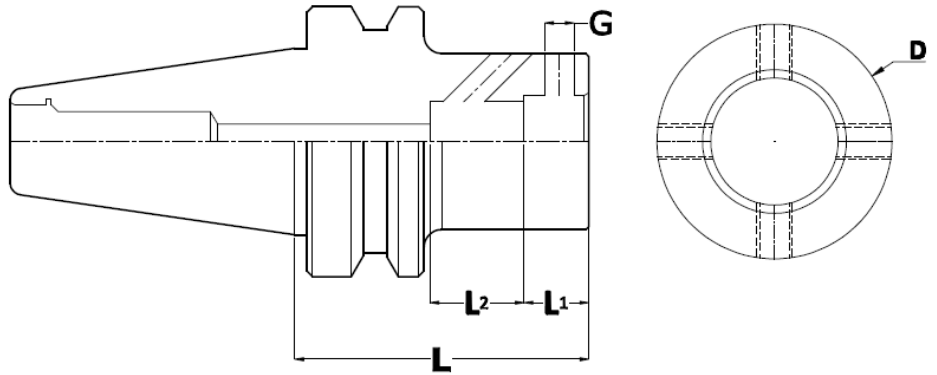


# BT HOLDER:

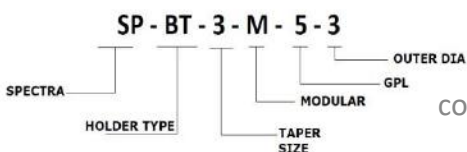
## MODULAR TYPE



(mm)

MODULAR						
TAPER SIZE	DESIGNATION	GPL (L)	L1	L2	OD (D)	G
BT-30	SP-BT-3M-43	40	11	16	30	M5
	SP-BT-3M-44	40	13	18	40	M6
BT-40	SP-BT-4M-44	45	13	18	40	M6
	SP-BT-4M-44	45	13	18	40	M6
	SP-BT-4M-55	50	13	21	50	M6
BT-50	SP-BT-5M-64	60	13	18	40	M6
	SP-BT-5M-65	60	13	21	50	M6

### Ordering Instruction



Patent Pending design should not be copied or reproduced without consent.

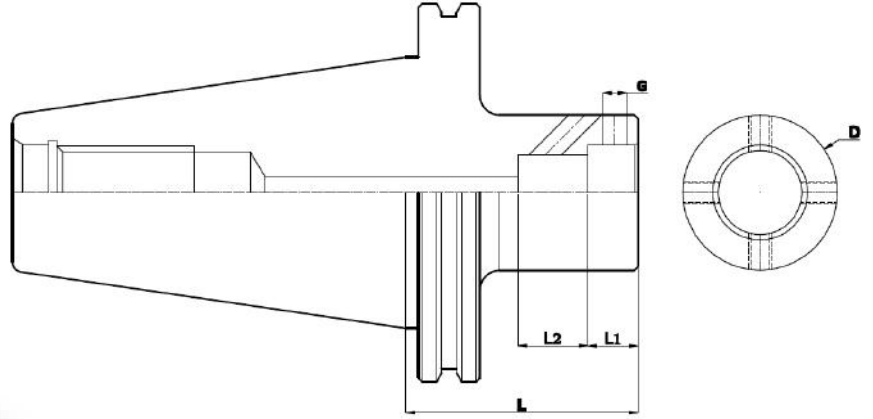


GRUBSCREW

ALLENKEY

# SK HOLDER:

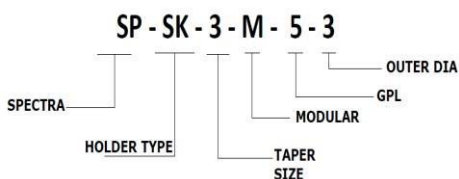
## MODULAR TYPE



(mm)

MODULAR						
TAPER SIZE	DESIGNATION	GPL (L)	L1	L2	OD (D)	G
SK-30	SP-SK-3M-43	40	11	16	30	M5
	SP-SK-3M-44	40	13	18	40	M6
SK-40	SP-SK-4M-44	40	13	18	40	M6
	SP-SK-4M-64	60	13	18	40	M6
	SP-SK-4M-55	50	13	21	50	M6
SK-50	SP-SK-5M-64	60	13	18	40	M6
	SP-SK-5M-65	60	13	21	50	M6

### Ordering Instruction



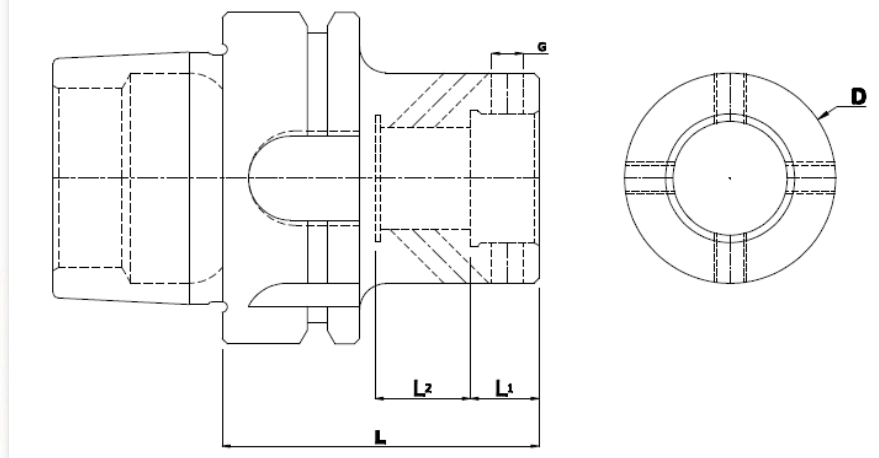
SPARES



GRUBSCREW ALLENKEY

Patent Pending design should not be copied or reproduced without consent.

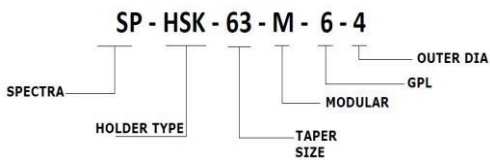
# HSK HOLDER:



(mm)

MODULAR						
TAPER SIZE	DESIGNATION	GPL (L)	L1	L2	D	G
HSK-50	SP-HSK-5M-63	60	11	16	30	M5
	SP-HSK-5M-64	60	13	18	40	M6
HSK-63	SP-HSK-63M-63	60	11	16	30	M5
	SP-HSK-63M-64	60	13	18	40	M6
	SP-HSK-63M-65	60	13	21	50	M6
HSK-100	SP-HSK-100M-63	60	11	16	30	M5
	SP-HSK-100M-64	60	13	18	40	M6
	SP-HSK-100M-75	70	13	21	50	M6

## Ordering Instruction



Patent Pending design should not be copied or reproduced without consent.

SPARES

