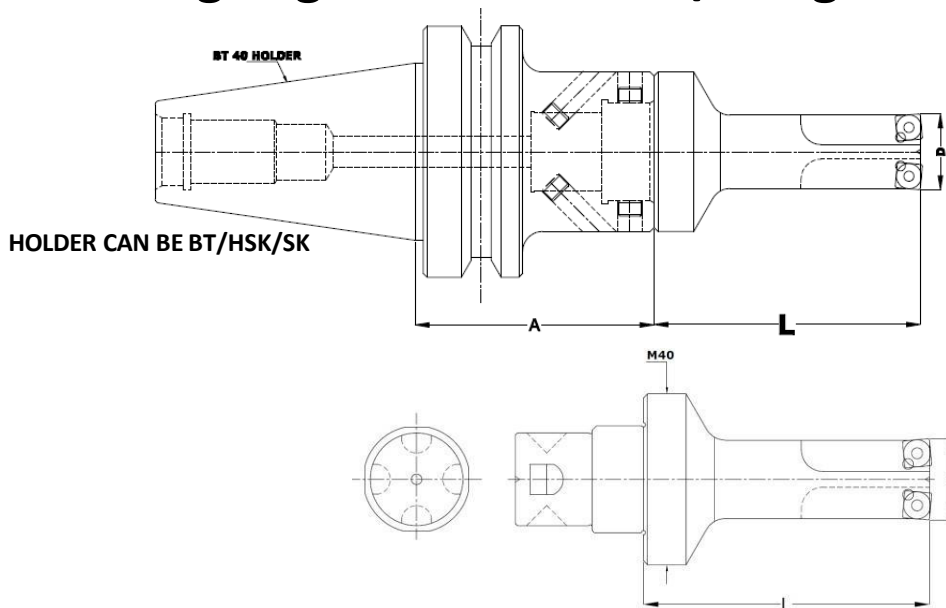


TWIN CUTTING EDGE BORING BAR:

Twin Cutting Edge ID Semi finish/Rough Boring:



TWIN CUTTING BORING

DESIGNATION	A	D
SP-TCBR-M40-S1-120-18	80	18
SP-TCBR-M40-S1-120-20	120	20
SP-TCBR-M40-S1-120-25	120	25
SP-TCBR-M40-S1-120-30	120	30
SP-TCBR-M40-S1-120-32	120	32
SP-TCBR-M40-S1-120-36	120	36

NOTE:

- Customized size can be done as per the requirement.
- Holder is as per the Spectra standard MODULAR HOLDER as in catalogue.

INSERT DETAIL:

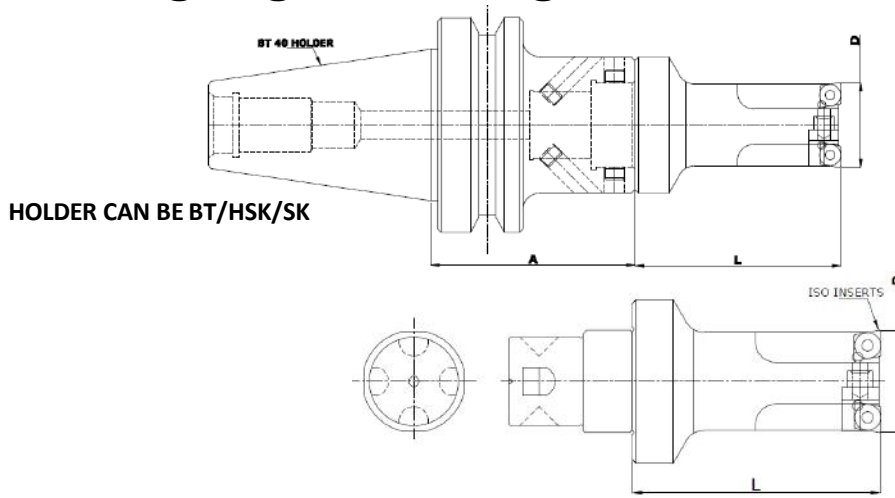
- S1- SXMT060204**
- S2- SXMT09T304**

Ordering Instruction

SP-TCBR-M40-S1-120-18



Twin Cutting Edge ID Boring:



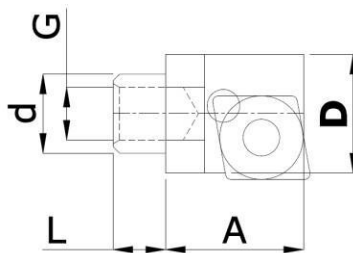
TWIN CUTTING BORING

DESIGNATION	L	D
SP-TCB-M40-60-25	60	25
SP-TCB-M40-70-28	70	28
SP-TCB-M40-80-30	80	30
SP-TCB-M40-80-32	80	32
SP-TCB-M40-80-34	80	34
SP-TCB-M50-80-38	80	38

NOTE:

- Customized size can be done as per the requirement.
- Holder is as per the Spectra standard MODULAR HOLDER as in catalogue.

CATRIDGE DETAILS:

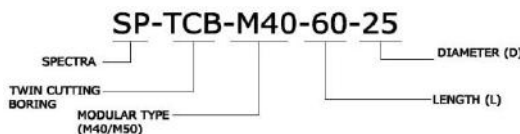


UNICART HOLDING SYSTEM
US PTO PATENTED
PATENT NO. 9770770

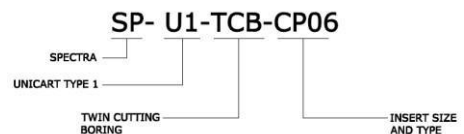
CATRIDGE

DESIGNATION	A	L	D	d	G(LH)
SP-U1-TCB-CP06	10.5	5	9	6	M4

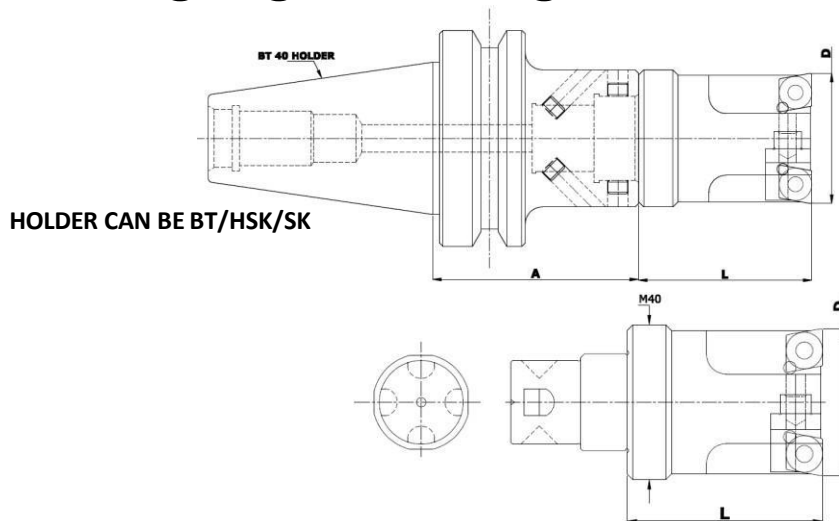
Ordering Instruction for **TOOL BODY**



Ordering Instruction for **CATRIDGE**



Twin Cutting Edge ID Boring:



TWIN CUTTING BORING

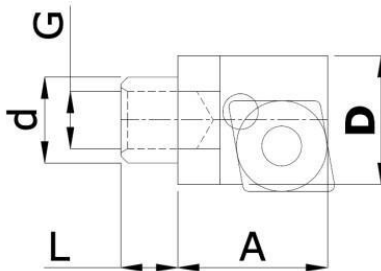
DESIGNATION	L	D
SP-TCB-M40-60-38	60	38
SP-TCB-M40-60-40	60	40
SP-TCB-M50-60-42	60	42
SP-TCB-M50-60-44	60	44
SP-TCB-M50-60-46	60	46
SP-TCB-M50-60-48	60	48

NOTE:

- Customized size can be done as per the requirement.
- Holder is as per the Spectra standard MODULAR HOLDER as in catalogue.

UNICART HOLDING SYSTEM
 US PTO PATENTED
 PATENT NO. 9770770

CATRIDGE DETAILS:



CATRIDGE

DESIGNATION	A	L	D	d	G(LH)
SP-U1-TCB-CP09	15.5	5	13	8	M5

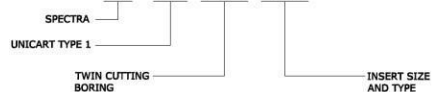
Ordering Instruction for **TOOL BODY**

SP-TCB-M40-60-38

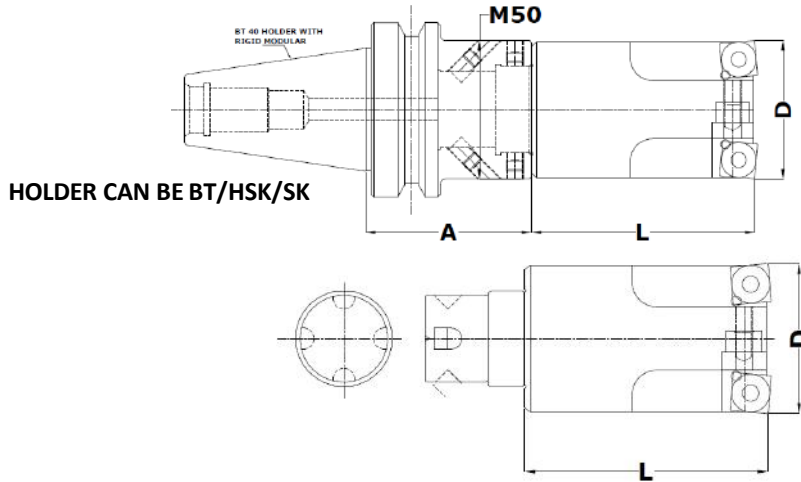


Ordering Instruction for **CATRIDGE**

SP- U1-TCB-CP09



Twin Cutting Edge ID Boring:



TWIN CUTTING BORING

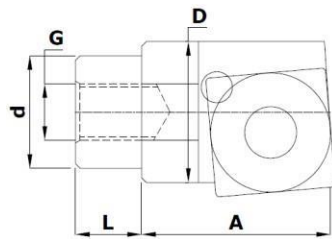
DESIGNATION	L	D
SP-TCB-M50-80-50	80	50
SP-TCB-M50-80-52	80	52
SP-TCB-M50-80-54	80	54
SP-TCB-M50-80-56	80	56
SP-TCB-M50-80-58	80	58
SP-TCB-M50-80-60	80	60

NOTE:

- Customized size can be done as per the requirement.
- Holder is as per the Spectra standard MODULAR HOLDER as in catalogue.

UNICART HOLDING SYSTEM
 US PTO PATENTED
 PATENT NO. 9770770

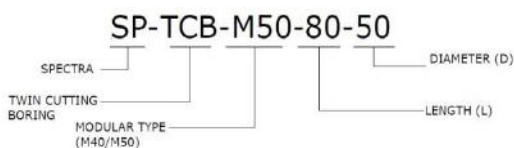
CATRIDGE DETAILS:



CATRIDGE

DESIGNATION	A	L	D	d	G(LH)
SP-U1-TCB-SP12	20	7	15	12	M6

Ordering Instruction for **TOOL BODY**



Ordering Instruction for **CATRIDGE**

