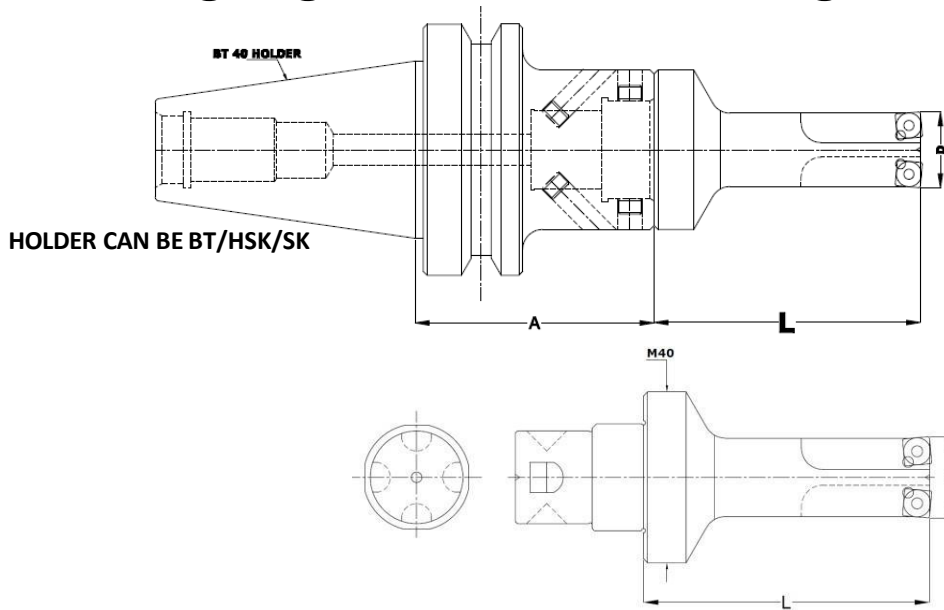


TWIN CUTTING EDGE BORING BAR:

Twin Cutting Edge ID Semi finish/Rough Boring:



TWIN CUTTING BORING

DESIGNATION	A	D
SP-TCBR-M40-S1-120-18	80	18
SP-TCBR-M40-S1-120-20	120	20
SP-TCBR-M40-S1-120-25	120	25
SP-TCBR-M40-S1-120-30	120	30
SP-TCBR-M40-S1-120-32	120	32
SP-TCBR-M40-S1-120-36	120	36

NOTE:

- Customized size can be done as per the requirement.
- Holder is as per the Spectra standard MODULAR HOLDER as in catalogue.

INSERT DETAIL:
S1- SXMT060204
S2- SXMT09T304

Ordering Instruction

SP-TCBR-M40-S1-120-18

